

SINGER
151W1

INSTRUCTIONS FOR ORDERING

In ordering from this list, use **ONLY** the **PART** number in the **FIRST** column.

The number stamped on a Sewing Machine Part is the number of the Single Part only, except when the part includes Set Screws, Clamping Screws, Studs and Rollers Spun on, Small Wires riveted, or Parts soldered together, etc., which it is necessary to furnish in combination.

Every combination of parts sent out has its specific number which, although not stamped on Parts (except in above case), must be used when ordering the combination.

Each number always indicates the **SAME PART** in whatever list it appears, or for whatever Machine.

The letters after some of the numbers indicate the style of finish only, as follows:

- A Hardened, Polished, Nickel Plated and Buffed.
- AL Heat Treated for Toughness.
- B Polished, Nickel Plated and Buffed.
- C Hardened only.
- D Polished only.
- E Soft, Not polished.
- F Hardened and Polished.
- H Blued.
- J Nickel Plated only.
- R Merlized.
- X Black Oxide, for Iron and Steel.
- XC Hardened and Black Oxide, for Iron and Steel.
- Y Black Nickel Plated only.
- Z Chromium Plated.

These letters **MUST BE USED** when they appear in the list and **AFTER** the number, as in the list.

In this series

1 to 1500, 200001 to 201500 and 350001 to 351500 are Screw Numbers.
 1501 to 1800, 201501 to 201800 and 351501 to 351800 are Nut Numbers.
 1801 to 2000, 201801 to 202000 and 351801 to 352000 are Roller Numbers.
 2001 to 50000 and 202001 to 350000 are Numbers of Machine Parts.

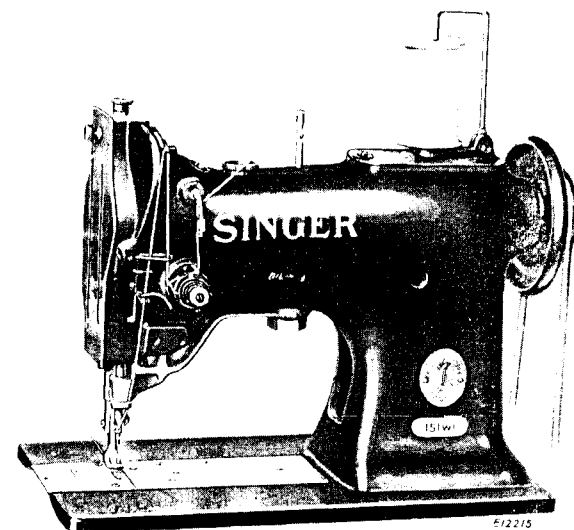
The figures in the second column refer only to the plate in which the illustration of the part is shown and are **NOT TO BE USED** in ordering.

Two or more numbers over a cut indicate that the difference between such parts is not visible in an illustration.

Parts marked with an asterisk (*) are furnished only when repairs are made at the factory.

LIST OF PARTS COMPLETE

FOR



MACHINE No. 151w1

UNISON FEED

BALL BEARING

Especially Adapted for Stitching Two or More Pieces
 of Material of Even Length Without Puckering

No.	Plate	Name
*224536	-----	Arm with 202135
203091	16515	" Cap
200278H	16515	" " Screw
202248	16515	" " " Washer
203089	16515	" " Spool Holder Base
203090	16515	" " " " " 203089 with 200079H and 204296
200585H	16515	Arm Cap Spool Holder Base Screw
204296	16515	" " " " Wire
200079H	16515	" " " " Hinge Screw
203092	16515	Arm Cap and Spool Holder complete, Nos. 203090, 203091 and two 200585H
204235	16516	Arm Position Pin (2)
200010E	16516	" Screw (3)
202005	16516	" " Washer (3)
208523	16515	" Shaft
249440	16515	" " Ball Bearing
*240054	16515	" " " " Collar with two 200378C

No.	Plate	Name
240055	16515	Arm Shaft Ball Bearing Collar 240054 with 249440
200378C	16515	Arm Shaft Ball Bearing Collar Set Screw
*240056	16515	Arm Shaft Ball Bearing Retaining Washer
*240053	16515	Arm Shaft Bushing (back)
240057	16515	Arm Shaft Bushing (back, ball bearing) complete, Nos. 240053, 240055 and 240056
200335C	16515	Arm Shaft Bushing (back) Set Screw
207080	16515	" " " (front) with 202244
202244	16515	" " " " Oil Packing (wick)
200502H	16515	Arm Shaft Bushing (front) Oil Packing Thumb Screw
200338C	16515	Arm Shaft Bushing (front) Set Screw
263105	16516	" " Connection Belt
202635	16516	" " " " Pulley with 200327C, 200602C and two 202253
200602C	16516	Arm Shaft Connection Belt Pulley Position Screw
200327C	16516	Arm Shaft Connection Belt Pulley Set Screw
202253	16516	Arm Shaft Connection Belt Pulley Spring Flange
208573	16515	Arm Shaft Counter Balance with 200335C
200335C	16515	" " " " Set Screw
244074	16515	Balance Wheel (disc) "v" belt groove (outside diam. of belt groove 2.9 in.) with 201346C and 350107C
244063	16515	Balance Wheel (disc) (belt groove 2-1/8 in. diam.) with 200328C and 200335C
Note:		Balance Wheel 244063 is furnished with this machine unless otherwise specified on order.
200328C	16515	Balance Wheel Position Screw
350107C	16515	" " " " "
200335C	16515	" " " " Set Screw
201346C	16515	" " " " "
*224537	-----	Bed with 224517 and three 200582H
202258	16516	" Hinge Connection ()
200570E	16516	" " " " Screw (4)
208570	16526	" Plate (back)
200577AL	16526	" " " " Screw
224538	16526	" Slide (front)
263099	16518	Bobbin
210846	16518	" Case Base
241402	16518	" " Cap with 200592C, 201016F and 202310
241403	16518	Bobbin Case Cap complete, Nos. 200964C, 210736, 210914 and 241402
210913	16518	Bobbin Case Latch
210914	16518	" " " " 210913 with 210734 and 210735
210735	16518	Bobbin Case Latch Fulcrum Pin

No.	Plate	Name
210734	16518	Bobbin Case Latch Lever
210736	16518	" " " " Spring
200964C	16518	" " " " Stop Screw
263145	16527	" " " " Stop
200136D	16527	" " " " Screw
263110	16518	" " " " Tension Spring
201016F	16518	" " " " " Regulating Screw
200592C	16518	Bobbin Case Tension Spring Screw
241404	16518	Bobbin Case complete, Nos. 210846 and 241403
200459D	16526	Cloth Guide Thumb Screw
208535	16526	Face Plate
202135	16526	" " " " Position Pin
200462H	16526	" " " " Thumb Screw
208538	16516	Feed Driving Connection (bronze) with 202277
202277	16516	Feed Driving Connection Oil Packing (wick)
208539	16516	Feed Driving Connection Stud (eccentric) with 224530
224530	16516	Feed Driving Connection Stud Oil Packing (wick)
200346C	16516	Feed Driving Connection Stud Set Screw
208331	16516	" " " " Eccentric Regulating Bracket
224533	16516	" " " " " " " " 208331 with 202635, two each 201014C and 201525E
201014C	16516	Feed Driving Eccentric Regulating Bracket Hinge Screw
201525E	16516	Feed Driving Eccentric Regulating Bracket Hinge Screw Nut
202301	16516	Feed Driving Eccentric Regulating Bracket Plunger
202595	16516	Feed Driving Eccentric Regulating Bracket Plunger Spring
200607C	16516	Feed Driving Eccentric Regulating Bracket Plunger Spring Stop Screw
201014C	16516	Feed Driving Eccentric Regulating Bracket Stop Screw
201525E	16516	Feed Driving Eccentric Regulating Bracket Stop Screw Nut
200429C	16516	Feed Driving Eccentric Regulating Screw
200383C	16516	Feed Driving Eccentric Regulating Screw Check Screw
208540	16515	Feed Regulating Spindle with 202311, 202443 and 202619
*202311	-----	Feed Regulating Spindle Head
202443	16515	" " " " " Pin
202619	16515	" " " " " Position Pin
224545	16518	Hook with 263134 and two 462AL
224546	16518	" " 224545 with 200145C, 200614C, 263034, 263122 and two 200596F

No.	Plate	Name
224547	16518	Hook and Bobbin Case complete, Nos. 241404 and 224546
263122	16518	Hook Gib
200614C	16518	" " Hinge Screw
200596F	16518	" " Screw
263134	16518	" Oiling Felt
462AL	16518	" Set Screw
224539	16517	" Shaft with 263139
263029	16517	" " Ball Bearing
*263030	16517	" " " Collar with two 200383C
263031	16517	Hook Shaft Ball Bearing Collar 263030 with 263029
200383C	16517	Hook Shaft Ball Bearing Collar Set Screw
263032	16517	Hook Shaft Ball Bearing Retainer
200098E	16517	" " " " " Screw (3)
263146	16517	Hook Shaft Bushing (front) with 202423
202423	16517	" " " " Oil Packing (wick)
200346C	16517	Hook Shaft Bushing (front) Set Screw
263033	16517	" " Connection Belt Pulley with 202324 and two 201018C
201018C	16517	Hook Shaft Connection Belt Pulley Set Screw
202324	16517	Hook Shaft Connection Belt Pulley Spring Flange
202260	16517	Hook Shaft Oil Packing (wick)
263139	16517	" " " Wick
263034	16518	" Washer Needle Guard
200145C	16518	" " " " Screw
224512	16526	Knee Lifter Connection Lever
208543	16526	" " " " 224512 with 208544, 208592 and two 200262H
200262H	16526	Knee Lifter Connection Lever Hinge Screw
208592	16526	Knee Lifter Connection Lever Lifting Rod with 202302
202302	16526	Knee Lifter Connection Lever Lifting Rod Cotter Pin
208544	16526	Knee Lifter Lifting Lever
200262H	16526	" " " " Hinge Screw
208545	16519	Lifting Bell Crank
208546	16519	" " " Driving Crank
208547	16519	" " " " Link
202277	16519	" " " " Oil Packing (wick)
201012C	16519	Lifting Bell Crank Driving Crank Position Screw
200374C	16519	Lifting Bell Crank Driving Crank Set Screw
200996C	16519	Lifting Bell Crank Stop Screw
208571	16527	" Presser Foot
200074F	16520	" " " Screw

No.	Plate	Name
208526	16519	Needle Bar with 200141F
224540	16516	" " and Needle Plate Carrier Frame with 200346C, 200997C and 208550
224517	16516	Needle Bar and Needle Plate Carrier Frame Hinge Bearing
200582H	16516	Needle Bar and Needle Plate Carrier Frame Hinge Bearing Screw (3)
350401C	16516	Needle Bar and Needle Plate Carrier Frame Hinge Screw
200998C	16516	Needle Bar and Needle Plate Carrier Frame Hinge Screw Stud
208550	16516	Needle Bar and Needle Plate Carrier Frame Hinge Screw Stud Bushing (split)
200997C	16516	Needle Bar and Needle Plate Carrier Frame Hinge Screw Stud Bushing Position Screw
202277	16516	Needle Bar and Needle Plate Carrier Frame Hinge Screw Stud Oil Packing (wick)
206758	16516	Needle Bar and Needle Plate Carrier Frame Oil Wick (2)
224535	16516	Needle Bar and Needle Plate Carrier Frame Oil Wick Retainer (2)
208551	16519	Needle Bar Connecting Link
208552	16519	" " " Stud with 200086C and 202330
202330	16519	Needle Bar Connecting Stud Oil Packing (wick)
200086C	16519	Needle Bar Connection Stud Pinch Screw
208553	16519	" " Crank with 200335C, 200374C, 200428C and 201012C
208582	16519	Needle Bar Crank 208553 with 200996C, 202398, 202400, 208545 to 208547, 208551, 208552, 208555, 208557, 208562 and 208563
203172	16519	Needle Bar Crank Friction Washer
200428C	16519	" " " Position Screw
200335C	16519	" " " Set Screw
224541	16519	" " Oil Pad (felt)
200132E	16519	" " " " Screw
208536	16527	" Plate, 53 needle hole, for needle sizes 12 and 13
201387F	16527	Needle Plate Screw
208537	16516	" " Slide Plate (adjustable)
200054C	16516	" " " " Screw (2)
202101	16516	" " " " Washer (2)
200141F	16519	" Set Screw
224527	16517	Oil Leader (brass) (for back hook shaft bearing)
208566	16520	Presser Bar with 200074F
208567	16520	" " Bushing
200352C	16520	" " " Set Screw
202339	16520	" " Lifter

PARTS FOR MACHINE No. 151w1

No.	Plate	Name
200653C	16520	Presser Bar Lifter Hinge Screw
208555	16519	" " Lifting Bracket with 200054E
200975F	16520	Presser Bar Lifting Bracket Guide Screw
200054E	16519	Presser Bar Lifting Bracket Pinch Screw
208556	16520	Presser Bar Spring
200494B	16520	" " Thumb Screw (pressure reg- ulating)
200475B	16520	Presser Bar Thumb Screw Thumb Set Screw
202355	16520	Presser Bar Thumb Screw Thumb Set Screw Packing (brass)
202397	16519	Take-up (auxiliary)
200842E	16519	" " Screw
202398	16519	" Lever
208557	16519	" " Driving Stud with 202277
202277	16519	" " " " Oil Packing (wick)
202400	16519	Take-up Lever Hinge Stud with 202423
202423	16519	" " " " Oil Packing (wick)
200383C	16519	Take-up Lever Hinge Stud Set Screw
208558	16519	" " Oil Guard with 223655 and 224572
200161H	16519	Take-up Lever Oil Guard Screw
209568	16520	" " " Leader
202254	16520	" " " Packing (wick)
223655	16519	" " Oiling Felt
224572	16519	" " " Rivet
244048	13521	Tension Disc (back)
244049	16521	" " (front)
202404	16520	" Release Plunger
233629	16520	" " Slide
208560	16520	" " Spring
202405	16521	" " Washer
202407	16521	" Spring
263106	16521	" " Washer
200625F	16521	" Stud with 204925
200061C	16521	" " Set Screw
204925	16521	" " Washer
201572H	16521	" Thumb Nut
263107	16521	Tension complete, Nos. 200625F, 201572H, 202405, 202407, 202410, 244048, 244049 and 263106
202410	16521	Thread Controller Spring
241443	16521	" " " Stop
200132E	16521	" " " " Screw
208574	16521	" Guide
202412	16515	" "
202415	16521	" "
200582H	16521	" " Screw
200397H	16521	" " Set Screw

PARTS FOR MACHINE No. 151w1

No.	Plate	Name
240034	16521	Thread Retainer
200397H	16521	" " Set Screw
224543	16527	Throat Plate with 263145 and two 200136D
200577AL	16527	Throat Plate Screw (2)
208562	16519	Vibrating Presser Bar
208563	16519	" " " Connecting Link
202277	16519	" " " Oil Packing (wick)
208572	16527	Vibrating Presser Foot with 201015F
201015F	16527	" " " Pinch Screw

ACCESSORIES

No.	Plate	Name
200157B	16526	Attachment Screw
263099	16518	Bobbin (5)
225497	16836	" Case Screw Driver
231337	16836	Cloth Guide
135 x 21	-----	Needles, three each sizes 12 and 14
228220	16528	Drip Pan with four 3/4 in. wire nails
41400	16836	Machine Rest Pin (wood)
120342	16836	Oiler with 120343
120343	16836	" Spout, 3-1/2 in. long
225498	16836	Screw Driver (7-1/4 in. long)
225554	16836	Wrench (steel)

BOBBIN WINDER

(SWINGING AUTOMATIC, RIGHT HAND)

259428	18312	Brake (leather)
259429	18312	" Clamp
200113F	18312	" " Screw
225453	18312	Frame with 202277 and 259660
225454	18312	" Hinge Pin
202277	18312	" Oil Packing (wick)
259660	18312	" " Well Washer
225455	18312	" Spring
225456	18312	" " Plunger
225368	18312	Pulley with 200380C
200380C	18312	" Set Screw
225381	18312	Spindle
225444	18312	Stop Latch
200056E	18312	" " Screw
225458	18312	" " Thumb Lever
225459	18312	" " " " Hinge Stud
225459	18312	" " " " Joint Stud
202478	18312	" " Trip Lever
200299H	18312	" " " " Hinge Screw
225461	18312	Tension Bracket with 201499H
200082D	18312	" " Screw
228026	18312	" " " Washer
2102	18312	" Disc
13710	18312	" Spring
201499H	18312	" Stud
201572H	18312	" " Thumb Nut
225462	18312	Bobbin Winder Tension Bracket complete, Nos. 13710, 201572H, 225461 and two 2102
259430	18312	Bobbin Winder and Tension Bracket Base

No.	Plate	Name
259431	18312	Universal Bobbin Winder complete, Nos. 200056E, 200082D, 200113F, 200299H, 202478, 225368, 225381, 225444, 225453 to 225456, 225458, 225462, 228026, 259428 to 259430, two each 225459 and wood screws 3/4 in. No. 12, R.H.B.

BOBBIN WINDER

(SWINGING AUTOMATIC, RIGHT HAND)
FOR "V" BELT DRIVE

259428	18312	Brake (leather)
259429	18312	" Clamp
200113F	18312	" " Screw
225453	18312	Frame with 202277 and 259660
225454	18312	" Hinge Pin
202277	18312	" Oil Packing (wick)
259660	18312	" " Well Washer
225455	18312	" Spring
225456	18312	" " Plunger
259461	18312	Pulley with 200380C
200380C	18312	" Set Screw
225381	18312	Spindle
225444	18312	Stop Latch
200056E	18312	" " Screw
225458	18312	" " Thumb Lever
225459	18312	" " " " Hinge Stud
225459	18312	" " " " Joint Stud
202478	18312	" " Trip Lever
200299H	18312	" " " " Hinge Screw
225461	18312	Tension Bracket with 201499H
200082D	18312	" " Screw
228026	18312	" " " Washer
2102	18312	" Disc
13710	18312	" Spring
201499H	18312	" Stud
201572H	18312	" " Thumb Nut
225462	18312	Bobbin Winder Tension Bracket complete, Nos. 13710, 201572H, 225461 and two 2102
259662	18312	Bobbin Winder and Tension Bracket Base
259462	18312	Universal Bobbin Winder complete, Nos. 200056E, 200082D, 200113F, 200299H, 202478, 225381, 225444, 225453 to 225456, 225458, 225462, 228026, 259428, 259429, 259461, 259662, two each 225459 and wood screws, 3/4 in. No. 12, R.H.B.

KNEE LIFTER

No.	Plate	Name
228359	16643	Rock Lever with two 350231C
228360	16643	" " Bracket with 200547C and three wood screws 7/8 in., No. 12
228361	16643	Rock Lever Bracket 228360 with 228359, 228363, 228367, 228386 and 228455
228362	16643	Rock Lever Extension with 200529C
350231C	16643	" " " " Set Screw
228363	16643	" " Hinge Pin
228364	16643	" " Knee Plate with 350231C
228388	16643	" " " " Arm
350231C	16643	" " " " " " Set Screw
350231C	16643	" " " " " " Set Screw
228455	16643	" " Position Spring
228365	16643	" " Rod
200529C	16643	" " " " Set Screw
228386	16643	" " Spring
228367	16643	" " Stop Stud
200347C	16643	" " " " Set Screw
228368	16643	Knee Lifter complete, Nos. 228361, 228362, 228364, 228365 and 228388

(Other Knee Lifter Parts are listed with parts of machine head.)

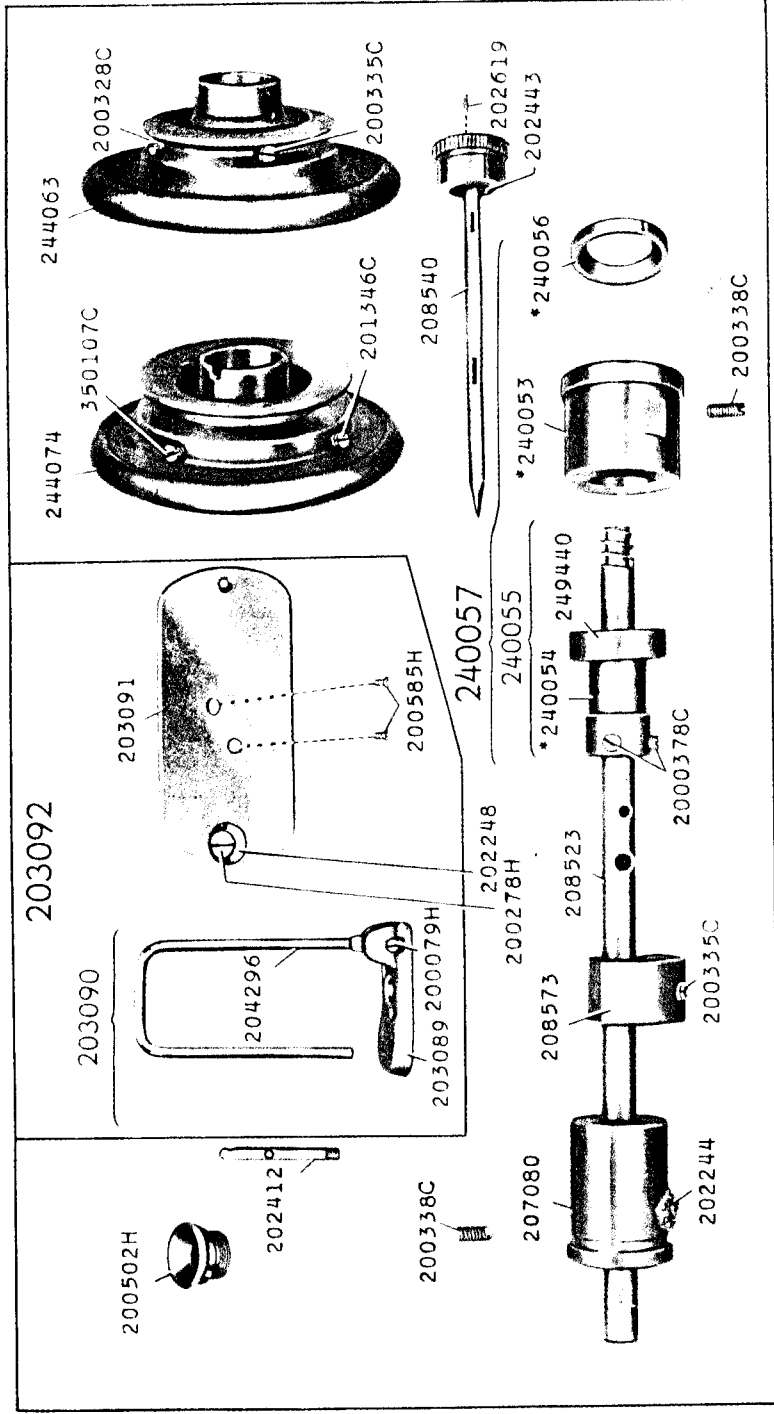
PRESSER FEET

208571	16527	Lifting Presser Foot, for 208572
224500	16527	" " " " 208572
224501	16527	" " " " 208572
224502	16527	" " " " 208572
224503	16527	" " " " 224504
208572	16527	Vibrating Presser Foot with 201015F, for 208571 and 224500 to 224502
224504	16527	Vibrating Presser Foot with 201015F, for 224503

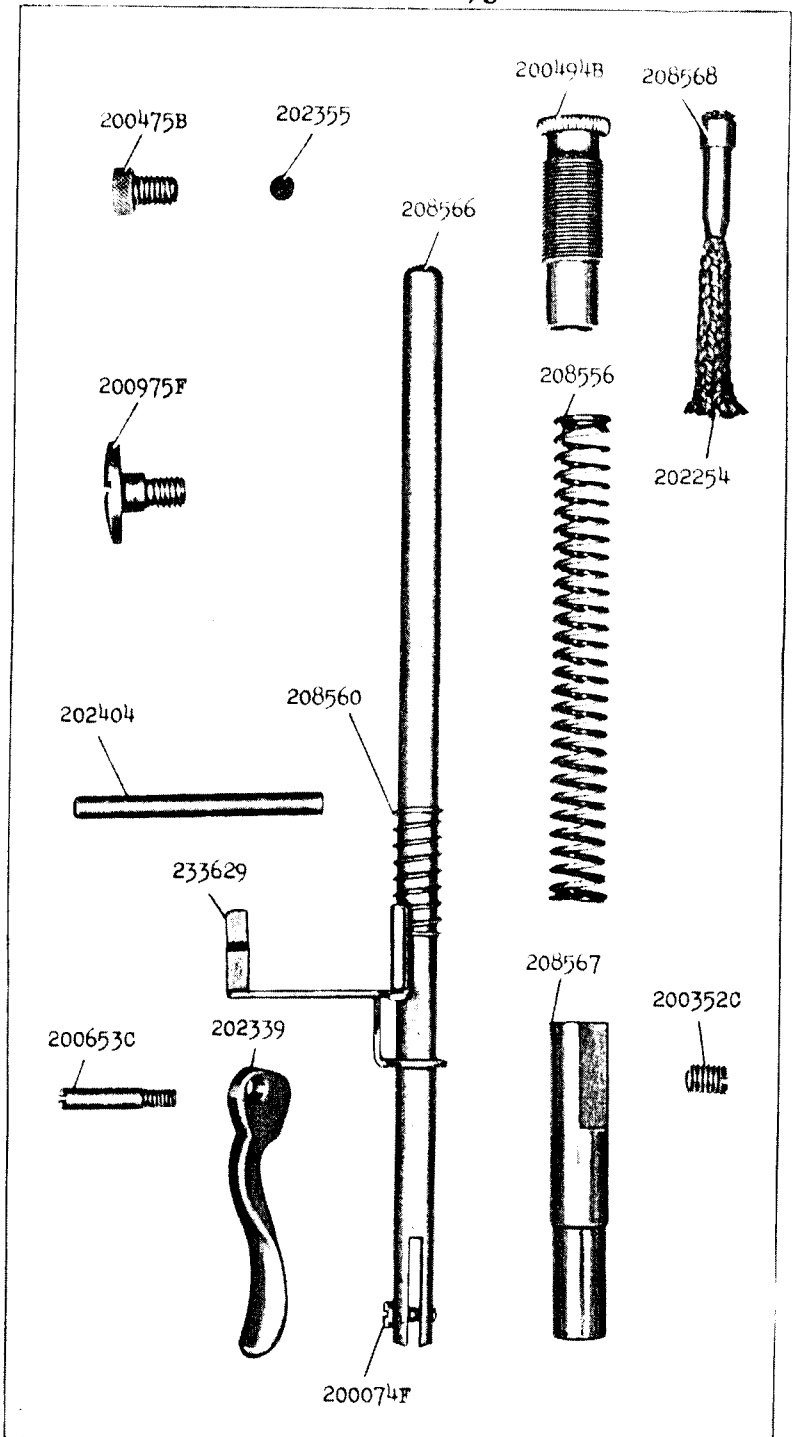
NUMERICAL LIST OF PARTS

No.	Plate	Name
462AL	16518	Hook Set Screw, for 224545
2102	18312	Bobbin Winder Tension Disc, for 225462
13710	18312	" " " Spring, for 225462
41400	16886	Machine Rest Pln (wood)
120342	16886	Oiler with 120343
120343	16886	" Spout, 3-1/2 in. long, for 120342
200010E	16516	Arm Screw
200054C	16516	Needle Plate Slide Plate Screw
200054E	16519	Presser Bar Lifting Bracket Pinch Screw, for 208555
200056E	18312	Bobbin Winder Stop Latch Screw, for 259431 and 259462
200061C	16521	Tension Stud Set Screw
200074F	16520	Lifting Presser Foot Screw, for 208566
200079H	16515	Arm Cap Spool Holder Wire Hinge Screw, for 203090
200082D	18312	Bobbin Winder Tension Bracket Screw, for 259431 and 259462
200086C	16519	Needle Bar Connecting Stud Pinch Screw, for 208552
200098E	16517	Hook Shaft Ball Bearing Retainer Screw
200113F	18312	Bobbin Winder Brake Clamp Screw, for 259431 and 259462
200132E	16519	Needle Bar Oil Pad Screw
200132E	16521	Thread Controller Spring Stop Screw
200136D	16527	Bobbin Case Stop Screw, for 224543
200141F	16519	Needle Set Screw, for 208526
200145C	16518	Hook Washer Needle Guard Screw, for 224546
200157B	16526	Attachment Screw
200161H	16519	Take-up Lever Oil Guard Screw
200262H	16526	Knee Lifter Connection Lever Hinge Screw, for 208543
200262H	16526	Knee Lifter Lifting Lever Hinge Screw, for 208543
200278H	16515	Arm Cap Screw
200299H	18312	Bobbin Winder Stop Latch Trip Lever Hinge Screw, for 259431 and 259462
200327C	16516	Arm Shaft Connection Belt Pulley Set Screw, for 202635
200328C	16515	Balance Wheel Position Screw, for 244063
200335C	16515	Arm Shaft Bushing (back) Set Screw
200335C	16515	" " Counter Balance Set Screw, for 208573
200335C	16515	Balance Wheel Set Screw, for 244063
200335C	16519	Needle Bar Crank Set Screw, for 208553

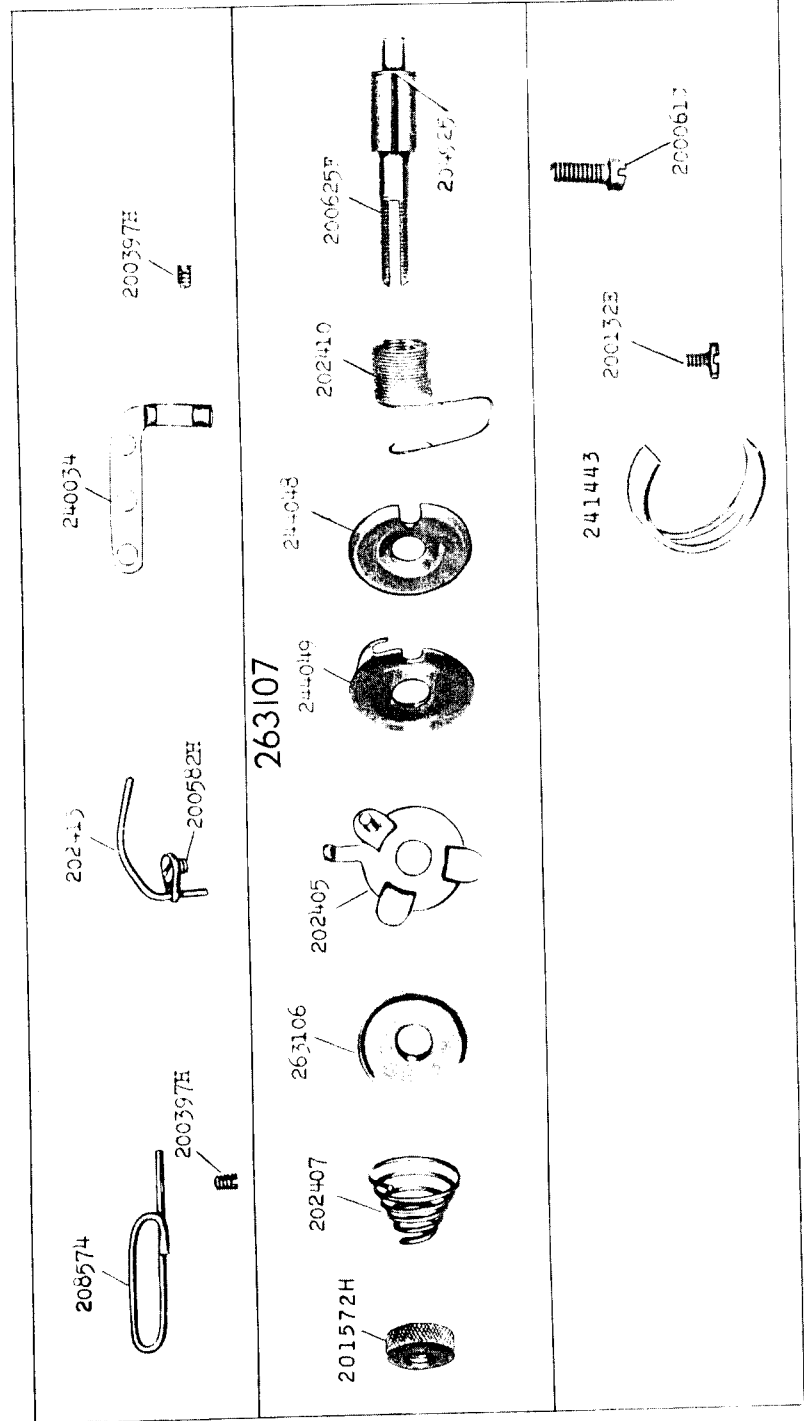
16515-3/8



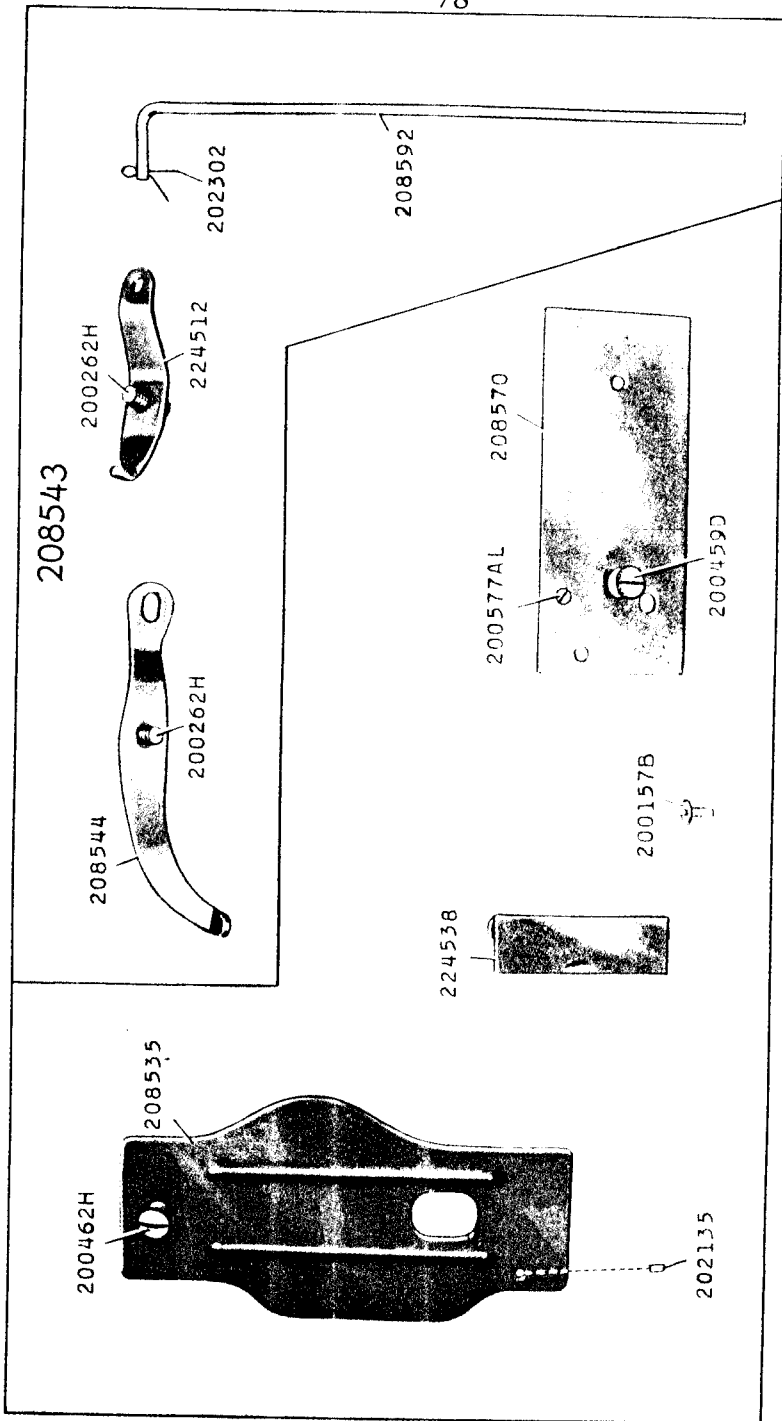
16520 - 2/3



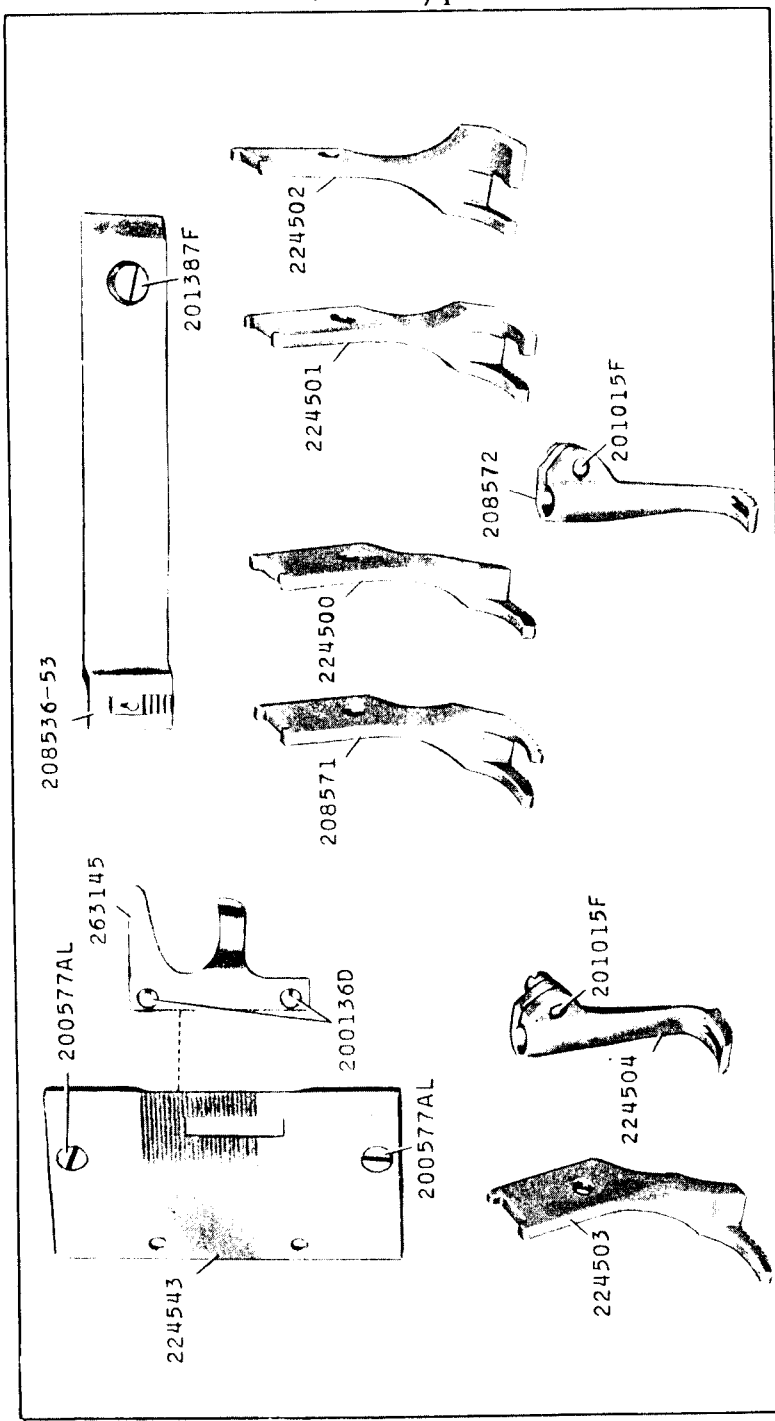
16521 - 3/4



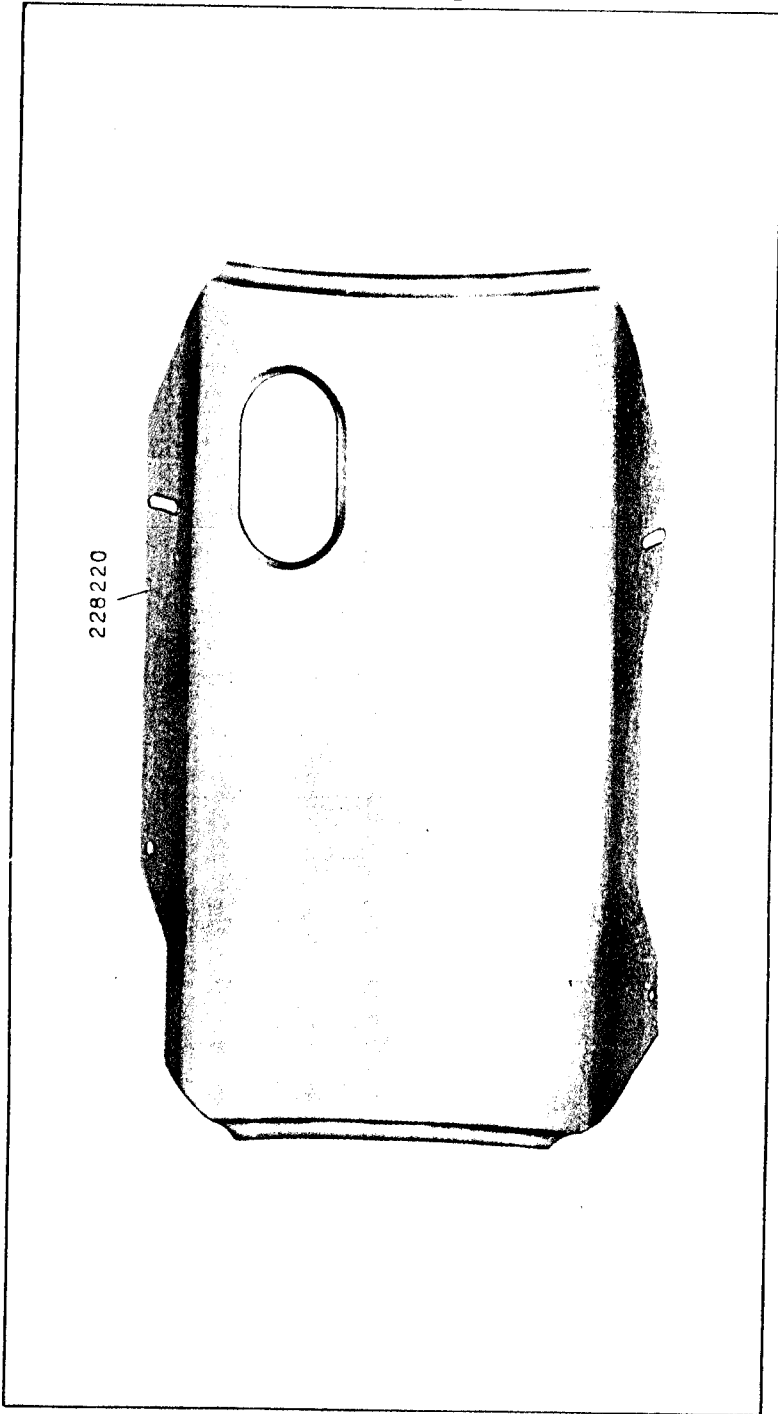
16526-3/8



16527-3/4

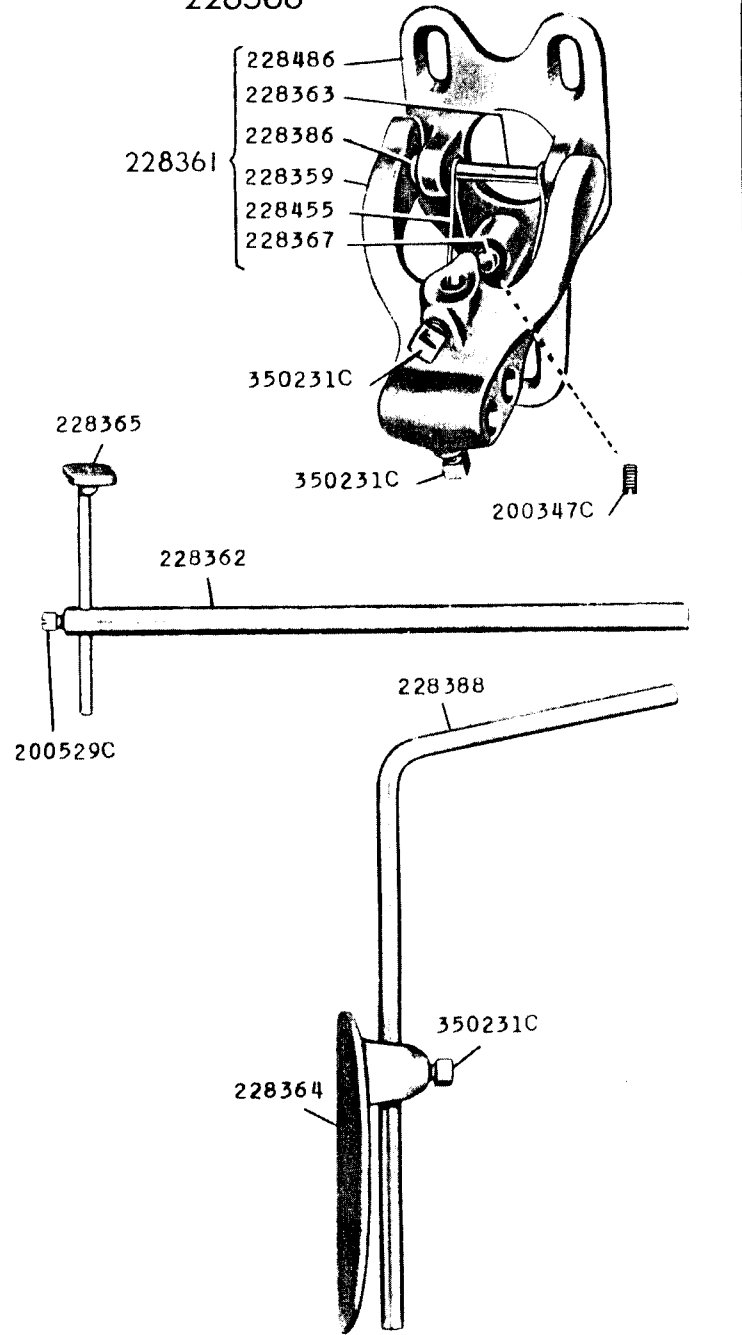


16528-3/8

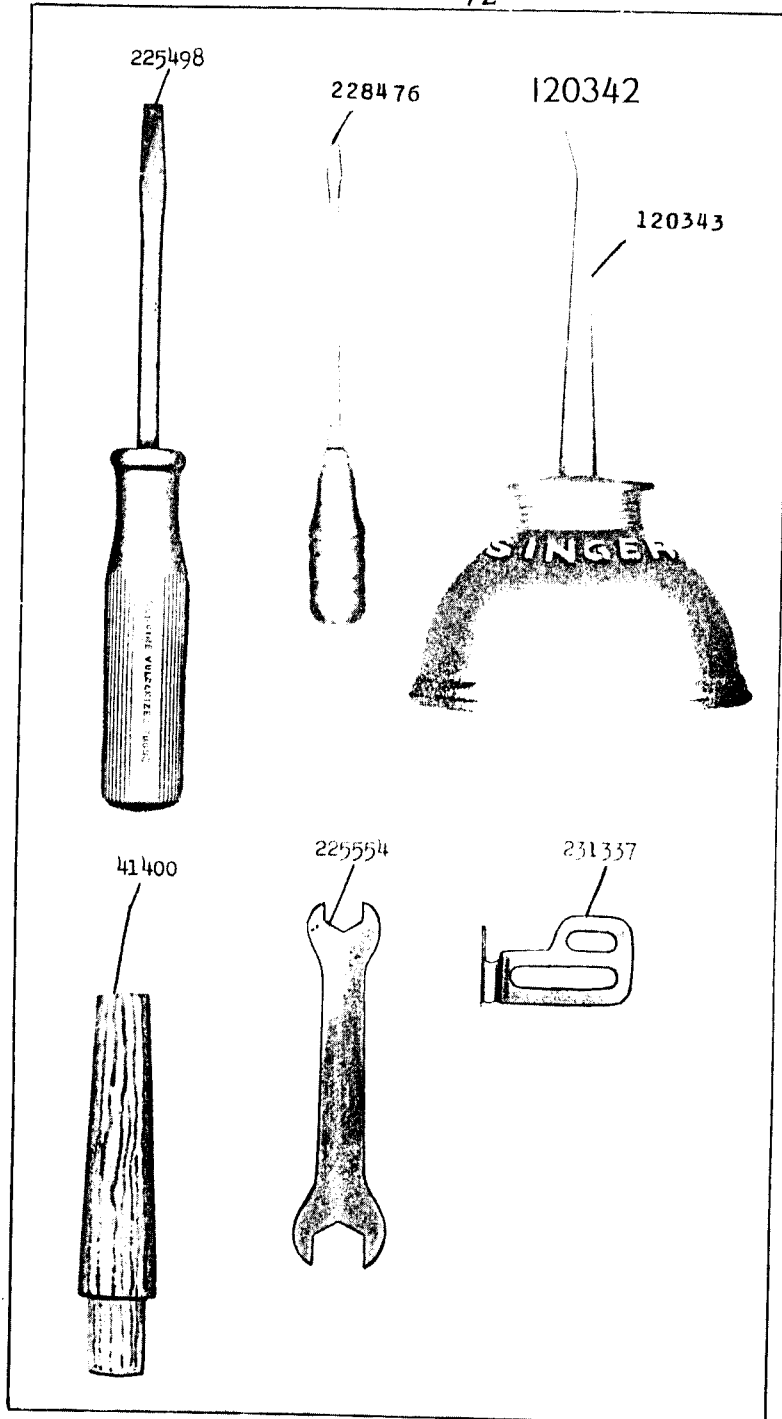


16643 - 3/8

228368



16836 - 1/2



18312 - 3/8

